

8

7

6

5

4

3

2

1

REVISIONS

EFFECTIVITY	REV	DESCRIPTION	DATE	APPROVED
FUTURE	A	REDRAWN TO BLUEPRINT FORMAT	1/20/00	

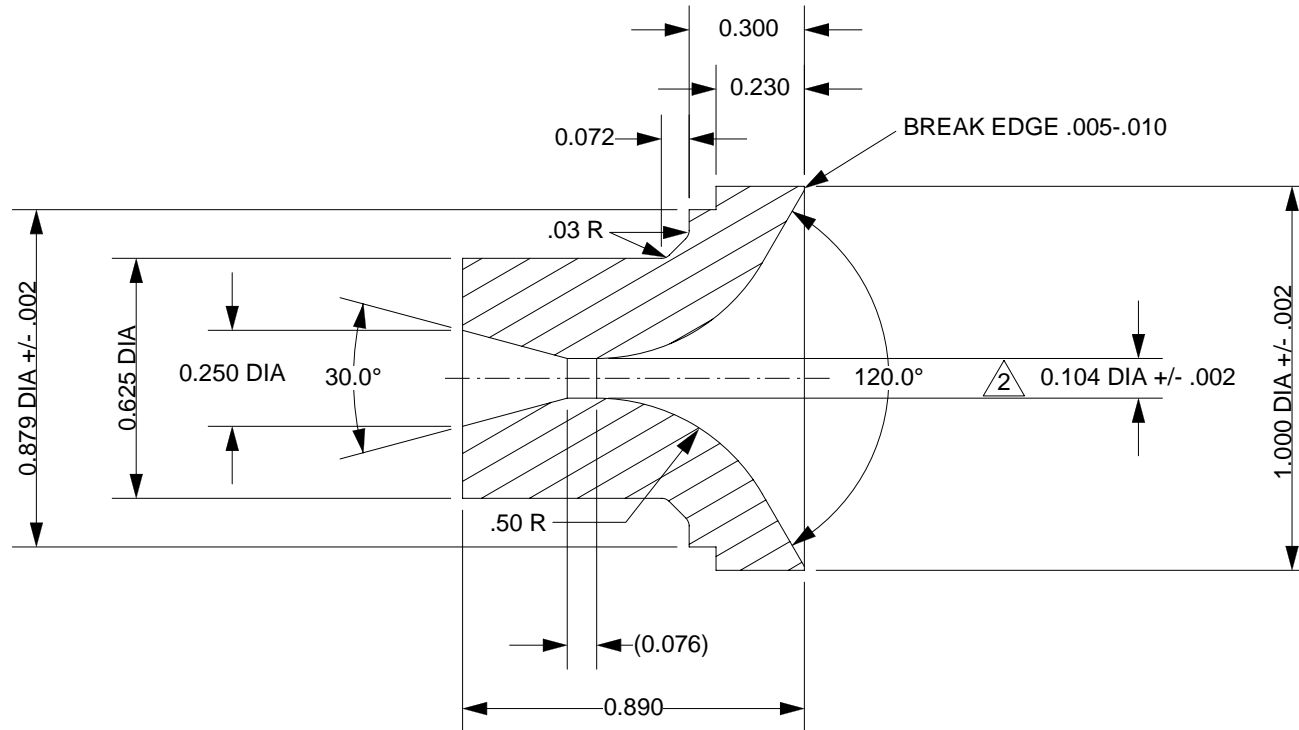
NOTES:

1. UNLESS OTHERWISE SPECIFIED:

A. BREAK EDGES .005.

B. SURFACE ROUGHNESS $32\sqrt{\text{ }}$.

2. DASH NUMBERS INDICATE IN-HOUSE MACHINING OF THROAT DIAMETER.



1	01400-5	NOZZLE DRILLED .113 Dt (APOGEE)	5
1	01400-4	NOZZLE DRILLED .141 Dt	4
1	01400-3	NOZZLE DRILLED .136 Dt	3
1	01400-2	NOZZLE DRILLED .125 Dt	2
1	01400-1	NOZZLE DRILLED .120° Dt	1

UNLESS OTHERWISE SPECIFIED DIMENSIONS ARE IN INCHES

.XX	.XXX	ANGLES
+/- .010	+/- .005	+/- 2 deg.

MATERIAL
BLACK PHENOLIC (PROPRIETARY)

FINISH
APVD
APVD

LIST OF MATERIAL

CONTRACT NUMBER

PREP B. ROSENFELD 4/99

CHKR

APVD

APVD

SCALE 2/1

SHEET 1 OF 1

2113 W. 850 N. Street
Cedar City, Utah 84720
(435) 867-9998 (Ph)
(443) 222-0203 (Fax)

RCS ROCKET MOTOR COMPONENTS, INC.

F10/F30 NOZZLE

SIZE **A** NUMBER **01400**

8

7

6

5

4

3

2

1